

# Farenhyt



SILENT  
KNIGHT

by Honeywell

Intelligent Devices

## Analog/Addressable Photoelectric Smoke Detector

### SD505-APS

In addition to accurately detecting a smoldering fire, each SD505-APS photoelectric detector has a unique address, which is recognized by the FACP.

The SD505-APS compensates automatically for contamination in the environment. Detector calibration test viewing is simple—even from a remote site. The SD505-APS offers a low profile installation and uses the model SD505-6AB base, compatible with other detectors in the series, allowing for complete application and placement flexibility. Like other Farenhyt smoke detectors, the SD505-APS offers easy installation, stable operation, RF/transient protection, and vandal-resistant locking.

### Specifications

Operating Voltage:	17-41 VDC
Current Consumption:	
Standby:	.55 mA
Alarm:	.55 mA
Operating Temperature:	32°F to 120°F (0°C to 49°C)
Relative Humidity:	85% noncondensing
Sensitivity:	0.88% - 3.56% FT
Air Velocity:	0 - 300 FPM

### Features

- Low profile, 2 inches, including base
- Simple and reliable addressing without mechanical switches
- Automatic compensation for sensor contamination
- Built-in fire test feature
- Simple detector calibration can be viewed through the control panel or remotely through a Windows™ based computer. (Windows™ software required for remote viewing.)
- Vandal-resistance locking features
- Field cleanable

### Agency Listings



MEA  
284-91-E  
Vol III



SD505-APS

### Approvals

- UL listed, meets NFPA 72
- CSFM 7272-0559:129
- MEA 284-91-E Vol III
- FM Approved

### Ordering Information

- SD505-APS

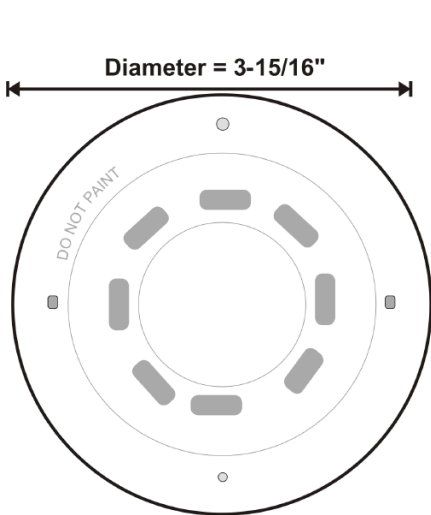
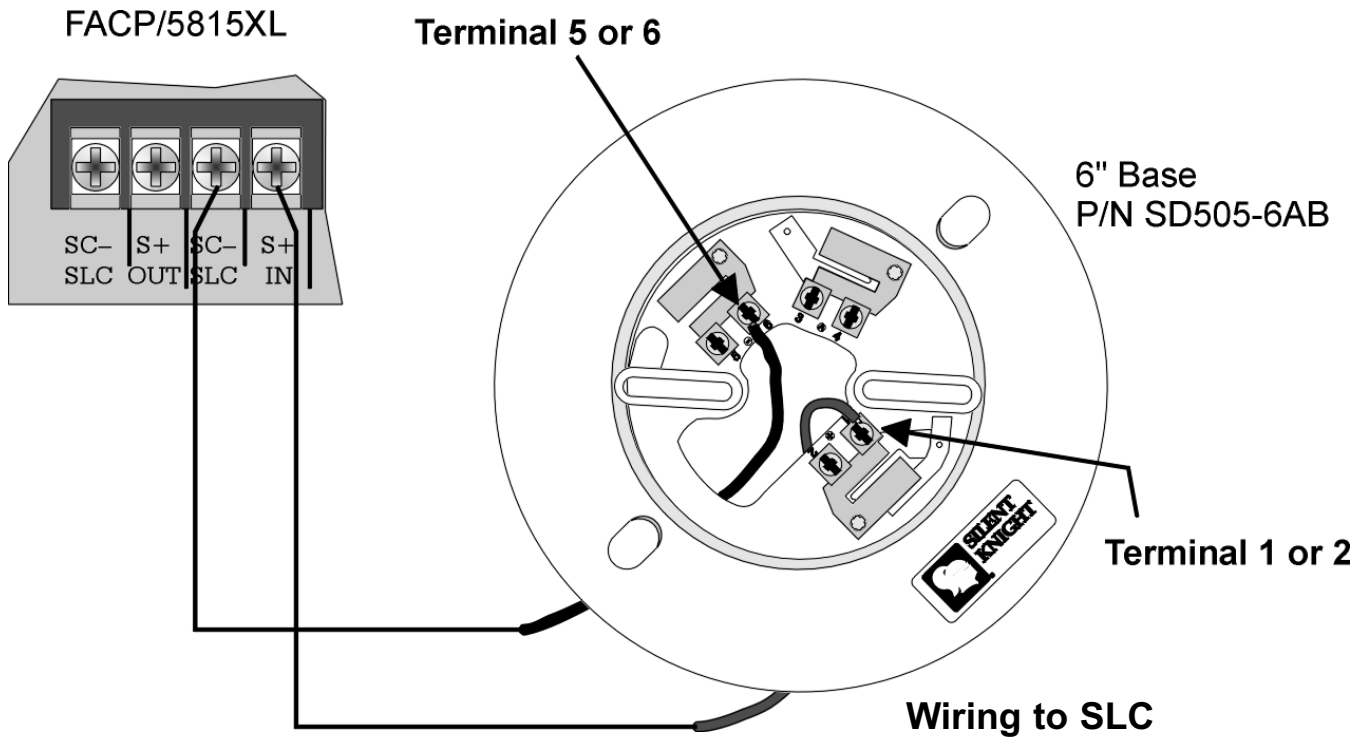
Photoelectric Smoke Detector head

### Compatible Bases

- SD505-6AB
- SD505-6IB
- SD505-6RB
- SD505-6SB

P/N 350226 Rev F

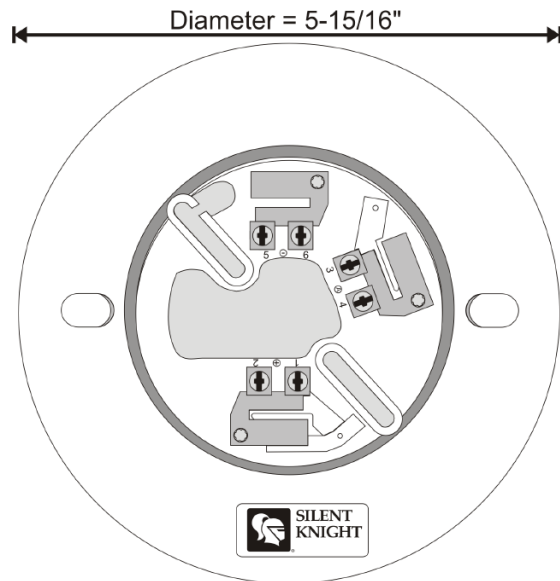
Copyright © 2010 Honeywell International Inc.



**Model SD505-APS**

**(Top View)**

Height = 2 inches,  
including base



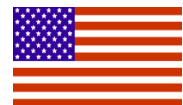
**Model SD505-6AB**

**Detector Base**

**(Top View)**



This document is not intended to be used for installation purposes. We try to keep our product information up-to-date and accurate. We cannot cover all specific applications or anticipate all requirements. All specifications are subject to change without notice. For more information, contact Silent Knight 12 Clintonville Road, Northford, CT 06472-1610 Phone: (800) 328-0103, Fax: (203) 484-7118. [www.farenhyt.com](http://www.farenhyt.com)



Made in the U.S.A.