

# Farenhyt

## SD505-ADHR / DTS

### Duct Detector Housing with Relay Module and Remote Test Switch

The SD505-ADHR analog addressable duct smoke detector with built-in relay module detects products of combustion present in air moving through an HVAC system. The SD505-ADHR is compatible with the SD505-DTS, which provides remote annunciation and testing capabilities for the SD505-ADHR.

The SD505-ADHR is a heavy duty metal housing with a pre-installed detector base. When smoke is detected in a duct, the unit communicates the condition to the FACP. The panel, in turn, depending on programming, turns off fans, blowers, and other devices.

The SD505-ADHR is designed to be used with the SD505-APS Photoelectric Smoke Detector and SD505-AIS Ionization Smoke Detector.

### Features

- Two-wire connection to SLC
- LED alarm indication and communication on sensor head
- Rugged steel backbox with clear plastic cover
- Installation template included
- Large terminal connection screws
- Interchangeable "plug-in" photoelectric or ionization heads
- UL listed
- Alarm Relay rated at 120/240 VAC @ 10A to control HVAC power.
- Built-in Trouble Relay

### SD505-ADHR Specifications

#### Included Parts:

- Metal housing with 7.5" exhaust tube
- SD505-4AB detector base
- Installation template
- 4 mounting screws

#### Accessories:

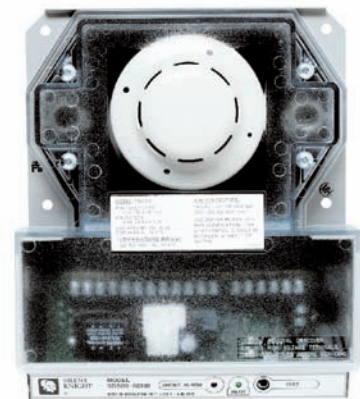
- Photoelectric Smoke Det. SD505-APS
- Ionization Smoke Det. SD505-AIS
- Sampling tube for 6" to 2.5' duct width STS-2.5
- Sampling tube for 2.5' to 5.0' duct width STS-5.0
- Sampling tube for 5.0' to 10.0' duct width STS-10.0

Operating Voltage: 24VDC/VDC, 120/240 VAC

Current:

Alarm:	75 mA @ 24 VDC
Standby:	35 mA @ 24 VDC
SLC Current:	.082 mA
Alarm Relay:	10A @ 120/240VAC 10A @ 24 VDC
Trouble Relay:	2.5 A @ 30VDC
Air Velocity:	500-4000 fpm (SD505-APS) 300-4000 fpm (SD505-AIS)
Sensitivity:	1.1 (SD505-APS) 0.8 (SD505-AIS)
Ambient Temperature:	32°F to 100°F (0°C to 37°C)
Humidity:	10 to 85% RH
Dimensions:	10" H x 8.25" W x 2.25" D
Color:	Gray

Duct detector housing with Relay module (SD505-AHDR) and Remote Test Switch (SD505-DTS)



SD505-ADHR



SD505-DTS

### SD505-DTS Specifications

#### Dimensions:

Height:	4.5"
Width:	2.75"
Depth:	1-5/8"

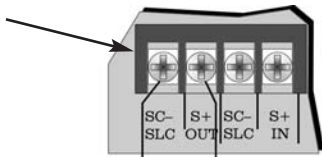
Color: Red



7550 Meridian Circle  
Maple Grove, Mn 55369-4927  
763-493-6455  
1-800-328-0103  
Fax: 763-493-6475  
www.farenhyt.com

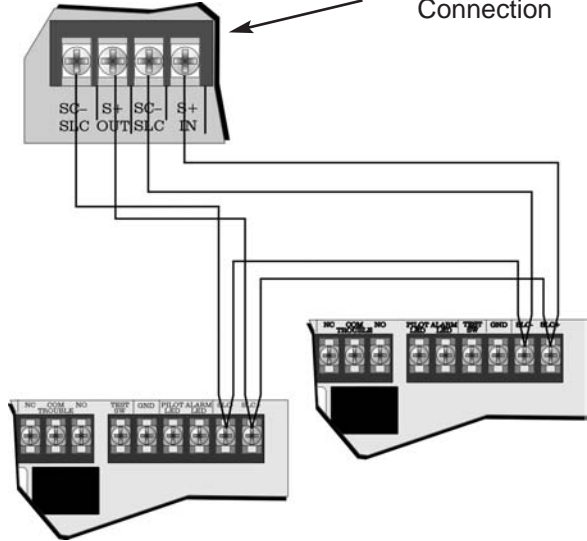
P/N 350326 Rev. B, 02/04  
Copyright © 2004 Silent Knight

FACP/5815XL  
Connection

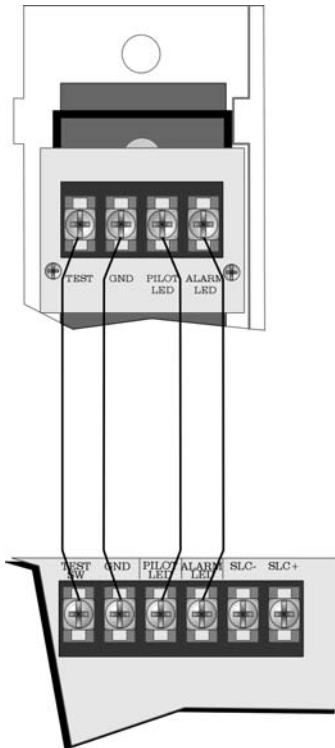


Class B (Style 4)

FACP/5815XL  
Connection



Class A (Style 6)



DTS connections



This document is not intended to be used for installation purposes. We try to keep our product information up-to-date and accurate. We cannot cover all specific applications or anticipate all requirements. All specifications are subject to change without notice. For more information, contact Silent Knight 7550 Meridian Circle Suite 100, Maple Grove, Mn 55369-4927. Phone: (800) 328-0103, Fax: (763) 493-6475.

