

# Farenhyt



Audio/Visual Devices

## The SpectrAlert® Advance

### Selectable Output Notification Appliances

#### General

System Sensor® SpectrAlert® Advance selectable-output horns, strobes and horn/strobes are rich with features guaranteed to cut installation times and maximize profits. The SpectrAlert Advance series of notification appliances is designed to simplify your installations, with features such as: plug-in designs, instant feedback messages to ensure correct installation of individual devices, and eleven field-selectable candela settings for wall and ceiling strobes and horn/strobes.

More specifically, when installing Advance products, first attach a universal mounting plate to a four-inch square, four-inch octagon, or double-gang junction box. The two-wire mounting plate attaches to a single-gang junction box.

Then, connect the notification appliance circuit wiring to the SEMS terminals on the mounting plate.

Finally, attach the horn, strobe, or horn/strobe to the mounting plate by inserting the product's tabs in the mounting plate's grooves. The device will rotate into position, locking the product's pins into the mounting plate's terminals. The device will temporarily hold in place with a catch until it is secured with a captured mounting screw.

#### Features

- Plug-in design.
- Universal mounting plate for wall and ceiling units.
- Shorting spring on mounting plate for continuity check before installation.
- Rotary switch for horn tone and three volume settings.
- Tamper-resistance construction.
- Field-selectable candela settings on wall and ceiling units: 15, 15/75, 30, 75, 95, 110, 115, 135, 150, 177, and 185.
- Automatic selection of 12 or 24 volt operation at 15 and 15/75 candela.
- Outdoor wall and ceiling products.

## Agency Listings



MEA  
approved  
452-05-E



Indoor Ceiling Strobe



Indoor Ceiling Horn/Strobe



Indoor Wall Horn/Strobe



Indoor Wall Horn



Outdoor Ceiling Strobe



Outdoor Wall Strobe

- Outdoor products rated from  $-40^{\circ}\text{F}$  and  $151^{\circ}\text{F}$  ( $-40^{\circ}\text{C}$  and  $66^{\circ}\text{C}$ ).
- Three volume selections and rotary switch for horn tone.
- Horn rated at 88+ dbA at 16 volts.
- Electrically compatible with existing SpectrAlert products.

#### Models available:

- Indoor wall-mount: horn, strobe, 2-wire horn/strobe, 4-wire horn/strobe.
- Indoor ceiling-mount: strobe, 2-wire horn/strobe, 4-wire horn/strobe.
- Outdoor wall-mount: horn, strobe, 2-wire horn/strobe, 4-wire horn/strobe.
- Outdoor ceiling-mount: strobe, 2-wire horn/strobe, 4-wire horn/strobe.

P/N 350377 Rev A

Copyright © 2010 Honeywell International Inc.

## Engineering Specifications

SpectrAlert Advance horns, strobes, and horn/strobes shall mount to a standard 4.0" x 4.0" x 1.5" (10.16 x 10.16 x 3.81 cm) backbox, 4.0" (10.16 cm) octagonal backbox, or a double-gang backbox. Two-wire products shall also mount to a single-gang 2.0" x 4.0" x 1.875" (5.08 x 10.16 x 4.763 cm) backbox. A universal mounting plate shall be used for mounting ceiling and wall products. The notification appliance circuit wiring shall terminate at the universal mounting plate. Also, SpectrAlert Advance products, when used with the Sync•Circuit™ Module accessory, shall be powered from a non-coded notification appliance circuit output and shall operate on a nominal 12 or 24 volts. When used with the Sync•Circuit Module, 12-volt rated notification appliance circuit outputs shall operate between 9 and 17.5 volts; 24-volt rated notification appliance circuit outputs shall operate between 17 and 33 volts. Indoor SpectrAlert Advance products shall operate between 32°F and 120°F (0°C and 49°C) from a regulated DC, or full-wave-rectified, unfiltered power supply. Strobes and horn/strobes shall have field-selectable candela settings including 15, 15/75, 30, 75, 95, 110, 115, 135, 150, 177, 185.

### STROBE

The strobe shall be a System Sensor SpectrAlert Advance Model \_\_\_\_\_ listed to UL 1971 and shall be approved for fire protective service. The strobe shall be wired as a primary-signaling notification appliance and comply with the Americans with Disabilities Act requirements for visible signaling appliances, flashing at 1 Hz over the strobe's entire operating voltage range. The strobe light shall consist of a xenon flash tube and associated lens/reflector system.

### HORN/STROBE COMBINATION

The horn/strobe shall be a System Sensor SpectrAlert Advance Model \_\_\_\_\_ listed to UL 1971 and UL 464 and shall be approved for fire protective service. The horn/strobe shall be wired as a primary-signaling notification appliance and comply with the Americans with Disabilities Act requirements for visible signaling appliances, flashing at 1 Hz over the strobe's entire operating voltage range. The strobe light shall consist of a xenon flash tube and associated lens/reflector system. The horn shall have three audibility options and an option to switch between a Temporal 3 pattern and a Non-Temporal (continuous) pattern. These options are set by a multiple position switch. On four-wire products, the strobe shall be powered independently of the sounder. The horn on horn/strobe models shall operate on a coded or non-coded power supply.

### OUTDOOR PRODUCTS

SpectrAlert Advance outdoor horns, strobes and horn/strobes shall be listed for outdoor use by UL and shall operate between -40°F and 151°F (-40°C and 66°C). The products shall be listed for use with a System Sensor outdoor/weatherproof backbox with half-inch and three-fourths-inch conduit entries.

### SYNCHRONIZATION MODULE

The module shall be a System Sensor Sync•Circuit MDL3RA or MDL3WA listed to UL 464 and shall be approved for fire protective service. The module shall synchronize SpectrAlert strobes at 1 Hz and horns at Temporal 3. Also, while operating the strobes, the module shall silence the horns on horn/strobe models over a single pair of wires. The module shall mount to a 4.688" x 4.688" x 2.125" (11.906 x 11.906 x 5.398 cm) backbox. The module shall also control two Style Y (class B) circuits or one Style Z (Class A) circuit. The module shall synchronize multiple zones. Daisy-chaining two or more synchronization modules together will synchronize all the zones they control. The module shall not operate on a coded power supply.

## Specifications

- Standard operating temperature: 32°F to 120°F (0°C to 49°C).
- K Series operating temperature: -40°F to 151°F (-40°C to 66°C).
- Humidity range: 10% to 93% non-condensing (indoor products).
- Strobe flash rate: 1 flash per second.
- Nominal voltage: regulated 12 VDC/FWR or regulated 24 VDC/FWR. NOTE: Full Wave Rectified (FWR) voltage is a non-regulated, time-varying power source that is used on some power supply and panel outputs.
- Operating voltage range: 8 V to 17.5 V (12 V nominal); or 16 V to 33 V (24 V nominal). NOTE: P, S, PC, and SC products will operate at 12 V nominal only for 15 cd and 15/75 cd.
- Input terminal wire gauge: 12 to 18 AWG (3.31 to 0.821 mm<sup>2</sup>).
- Ceiling-mount dimensions (including lens): 6.8" diameter x 2.5" deep (17.3 cm diameter x 6.4 cm deep).
- Wall-mount dimensions (including lens): 5.6" H x 4.7" W x 2.5" D (14.2 cm H x 11.9 cm W x 6.4 cm D).
- Horn dimensions: 5.6" H x 4.7" W x 1.3" D (14.2 cm H x 11.9 cm W x 3.3 cm D).

### Strobe Current Draw

#### UL Maximum (mA RMS)

Candela	8-17.5 V		16-33 V		
	DC	FWR	DC	FWR	
Standard Candela Range	15	123	123	66	71
	15/75	142	148	77	81
	30	NA	NA	94	96
	75	NA	NA	158	153
	95	NA	NA	181	176
	110	NA	NA	202	195
High Candela Range	115	NA	NA	210	205
	135	NA	NA	228	207
	150	NA	NA	246	220
	177	NA	NA	281	251
185	NA	NA	286	258	

### Horn Current Draw,

#### UL Maximum (mA RMS)

Sound Pattern	dB	8 - 17.5 V		16 - 33 V	
		DC	FWR	DC	FWR
Temporal	High	57	55	69	75
Temporal	Medium	44	49	58	69
Temporal	Low	38	44	44	48
Non-Temporal	High	57	56	69	75
Non-Temporal	Medium	42	50	60	69
Non-Temporal	Low	41	44	50	50
Coded	High	57	55	69	75
Coded	Medium	44	51	56	69
Coded	Low	40	46	52	50

**Horn and Horn/Strobe  
Rotary Switch Setting**

Setting	Repetition Rate	dB Level
1	Temporal horn	High
2	Temporal horn	Medium
3	Temporal horn	Low
4	Normal horn	High
5	Normal horn	Medium
6	Normal horn	Low
7*	Externally coded	High
8*	Externally coded	Medium
9*	Externally coded	Low

**\*NOTE:** Settings 7, 8, and 9 are not available on 2-wire horn/strobe.

**Horn and Horn/Strobe Output (dBA)**

Switch Position	Sound Pattern	dB	8 - 17.5 V		16 - 33 V	
			DC	FWR	DC	FWR
1	Temporal	High	78	78	84	84
2	Temporal	Medium	74	74	80	80
3	Temporal	Low	71	73	76	76
4	Non-temporal	High	82	82	88	88
5	Non-temporal	Medium	78	78	85	85
6	Non-temporal	Low	75	75	81	81
7	Coded	High	82	82	88	88
8	Coded	Medium	78	78	85	85
9	Coded	Low	75	75	81	81

**\*Note:** Settings 7, 8, and 9 are not available on 2-wire horn/strobe.

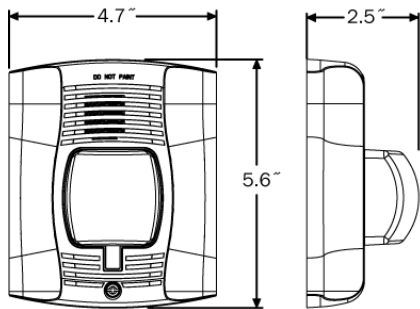
**Two-Wire Horn/Strobe, Standard Candela Range (15-115 cd),  
UL Maximum Current Draw (mA RMS)**

Input, Sound Pattern, dB Level	8 - 17.5 V		16 - 33 V						
	15	15/75	15	15/75	30	75	95	110	115
DC Input, Temporal, High	137	147	79	90	107	176	194	212	218
DC Input, Temporal, Medium	132	144	69	80	97	157	182	201	210
DC Input, Temporal, Low	132	143	66	77	93	154	179	198	207
DC Input,	141	152	91	100	116	176	201	221	229
DC Input,	133	145	75	85	102	163	187	207	216
DC Input,	131	144	68	79	96	156	182	201	210
FWR Input, Temporal, High	136	155	88	97	112	168	190	210	218
FWR Input,	129	152	78	88	103	160	184	202	206
FWR Input,	129	151	76	86	101	160	184	194	201
FWR Input, Non-Temporal, High	142	161	103	112	126	181	203	221	229
FWR Input,	134	155	85	95	110	166	189	208	216
FWR Input,	132	154	80	90	105	161	184	202	211

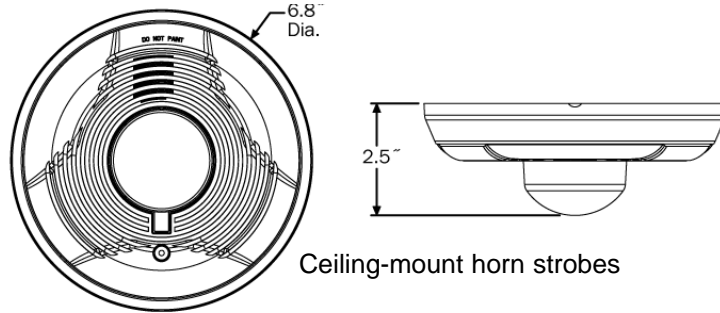
**Two-Wire Horn/Strobe HIGH Candela Range (135-185 cd),  
UL Maximum Current Draw (mA RMS)**

DC Input	16 - 33 V				FWR Input	16 - 33 V			
	135	150	177	185		135	150	177	185
DC, Temporal, High	245	259	290	297	FWR, Temporal, High	215	231	258	265
DC, Temporal, Medium	235	253	288	297	FWR, Temporal, Medium	209	224	250	258
DC, Temporal, Low	232	251	282	292	FWR, Temporal, Low	207	221	248	256
DC, Non-Temporal, High	255	270	303	309	FWR, Non-temporal, High	233	248	275	281
DC, Non-Temporal, Medium	242	259	293	299	FWR, Non-temporal, Medium	219	232	262	267
DC, Non-Temporal, Low	238	254	291	295	FWR, Non-temporal, Low	214	229	256	262

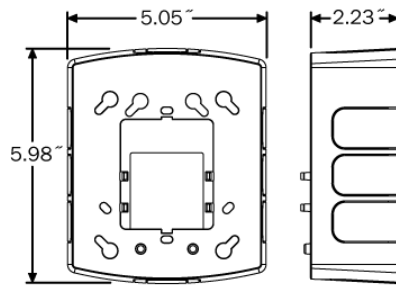
## SpectrAlert Advance Dimensions



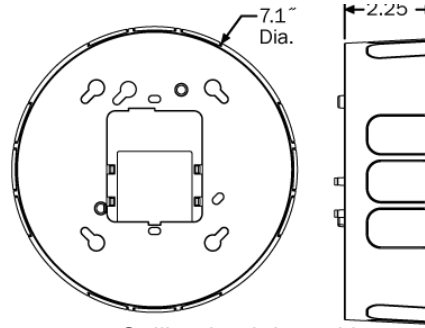
Wall-mount horn strobes



Ceiling-mount horn strobes



Wall back box skirt



Ceiling back box skirt

## SpectrAlert Advance Ordering Information

### Wall Horn Strobes

P2R	2-Wire horn/strobe, Standard cd, Red
P2RH	2-Wire horn/strobe, High cd, Red
P2RK	2-Wire horn/strobe, Standard cd, red outdoor
P2RHK	2-wire horn/strobe, High cd, red, outdoor
P2W	2-Wire horn/strobe, Standard cd, White
P2WH	2-Wire horn/strobe, High cd, White
P4R	4-Wire horn/strobe, Standard cd, Red
P4RH	4-Wire horn/strobe, High cd, Red
P4RK	4-Wire horn/strobe, standard cd, red, outdoor
P4RHK	4-Wire horn/strobe, High cd, red, outdoor
P4W	4-Wire horn/strobe, Standard cd, White
P4WH	4-Wire horn/strobe, high cd, white

### Wall Strobes

SR	Strobe, Standard cd, Red
SRH	Strobe, High cd, Red
SRK	Strobe, standard cd, red
SRHK	Strobe, High cd, red, outdoor
SW	Strobe, Standard cd, White
SWH	Strobe, High cd, White

### Ceiling Horn Strobes

PC2R	2-Wire horn/strobe, Standard cd, Red
PC2RH	2-Wire horn/strobe, High cd, Red
PC2W	2-Wire horn/strobe, Standard cd, White
PC2WH	2-Wire horn/strobe, High cd, White
PC2RK	2-Wire horn/strobe, Standard cd, red, outdoor
PC2RHK	2-Wire horn/strobe High cd, red, outdoor
PC4R	4-Wire horn/strobe, Standard cd, Red
PC4RH	4-Wire horn/strobe, High cd, Red
PC4W	4-Wire horn/strobe, Standard cd, White

### Ceiling Strobes

SCR	Strobe, Standard cd, Red
SCRH	Strobe, High cd, Red
SCRK	Strobe, Standard cd, red, outdoor
SCRHK	Strobe, High cd, red, outdoor
SCW	Strobe, Standard cd, White
SCWH	Strobe, High cd, White

### Horns

HR	Horn, Red
HW	Horn, White
HRK	Horn, Red, outdoor

### Accessories

BBS-2	Back Box Skirt, Wall, Red
BBSW-2	Back Box Skirt, Wall, White
BBSC-2	Back Box Skirt, Ceiling, Red
BBSCW-2	Back Box Skirt, Ceiling, White
SA-WBB	Weatherproof backbox, wall
TR-HS	Trim Ring, Wall, Red
TRW-HS	Trim Ring, Wall White
TRC-HS	Trim Ring, Ceiling, Red
TRCW-HS	Trim Ring, Ceiling, White

**NOTE:** "High cd" refers to strobes that include 135, 150, 177 and 185 candela settings. "Standard cd" refers to strobes that include 15, 15/75, 30, 75, 95, 110, and 115 candela settings.

SpectrAlert® and System Sensor® are registered trademarks of Honeywell International Inc



This document is not intended to be used for installation purposes. We try to keep our product information up-to-date and accurate. We cannot cover all specific applications or anticipate all requirements. All specifications are subject to change without notice. For more information, contact Silent Knight 12 Clintonville Road, Northford, CT 06472-1610 Phone: (800) 328-0103, Fax: (203) 484-7118. [www.farenhyt.com](http://www.farenhyt.com)