

Farenhyt



**SILENT
KNIGHT**

by Honeywell

Fire Fighters Telephone

Fire Fighters Telephone Control System

IFP-FFT

The IFP-FFT is a Fire Fighters Telephone communication system. The IFP-FFT Fire Fighter Telephone System provides supervision, annunciation, and control for local and remote telephone handsets. The IFP-FFT with keypad, provides indications of phone activation, and corresponding trouble conditions. The FFT-24 expander board lets you add additional zones to the IFP-FFT.

The IFP-FFT can use up to two FFT-24's for a total of 72 zones. Each zone consists of one addressable monitor module (IDP-Minimon) and a minimum of one Fire Fighter Telephone Jack (FFT-FPJ).

Features

- IFP-FFT Fire Fighter Telephone module for control and annunciation of up to 72 remote telephone jacks
- A maximum of 10 Fire Fighter Remote Handsets (FFT-RHS) can be used at one time to communicate over the telephone circuit connected to the IFP-FFT
- Fire Fighter Phone Jack (FFT-FPJ) provides a plug-in location for the FFT-RHS
- Single Telephone Station Mount comes in a lockable cabinet containing one remote handset. Available in Recessed mount (FFT-STSR) or surface mount (FFT-STSS)
- Fire Fighter Handset Cabinet (FFT-HSC) is used to store ten Fire Fighter Handsets (FFT-RHS)
- System Status LEDs
- Supports two FFT-24 zone expanders
- The IFP-FFT supports up to 72 IDP-Minimon devices on one FFT system
- Simplified installation by using single loop design
- JumpStart[®] auto-programming

Installation

The IFP-FFT can be surface or flush mounted. Use VIP-TR Trim Ring for flush mounting.

Compatibility

- IFP-2000ECS Emergency Communication System with Fire Alarm Control Panel
- IFP-2000 / IFP-2000HV / RPS-2000 Analog Addressable Fire System

Agency Listings

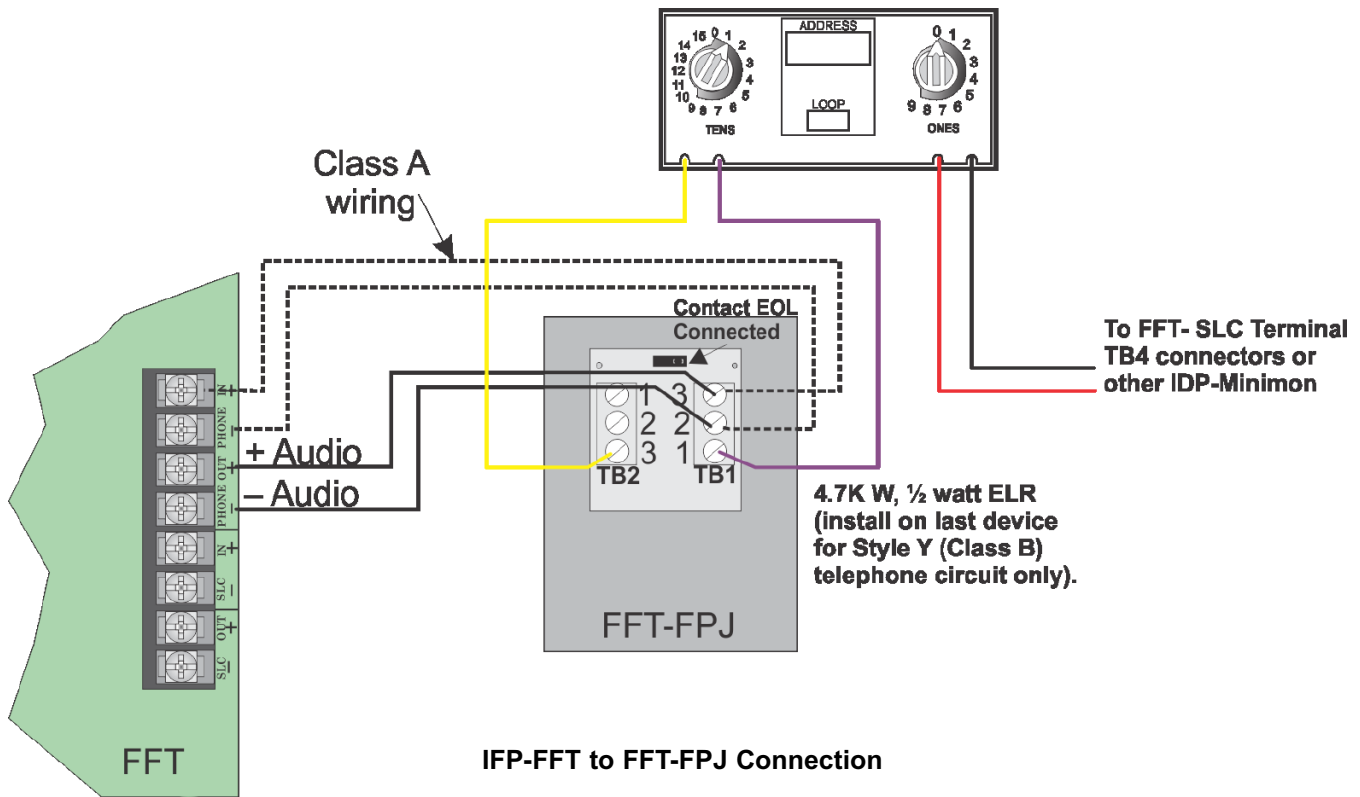


IFP-FFT

- IFP-2000VIP / IFP-2000VIPHV Addressable Fire System/ Voice Integration
- IFP-1000 / IFP-1000HV Analog Addressable Fire System
- IFP-1000VIP / IFP-1000VIPHV Analog Addressable Fire System/Voice Integration
- IFP-100 Analog Addressable Fire System
- IFP-100VIP Addressable Fire System/Voice Integration
- IFP-100ECS Emergency Communication System with Fire Alarm Control Panel
- IFP-1000ECS Emergency Communication System with Fire Alarm Control Panel
- IFP-50 Analog Addressable Fire System
- IFP-25 / IFP-25HV 25 point Addressable Fire Control Panel
- RPS-1000 6A power Supply
- For retrofit projects, compatible with any UL listed 24V regulated power supply

P/N 351549 Rev D

Copyright © 2015 Honeywell International Inc.



Specifications

Physical

Flush Mount Dimensions: 20¹/₄"W x 26³/₄"H x 2.5"- 3"D
(51.4 W x 68 H x 6.4-7.6 D cm)

Overall Dimensions: 20"W x 26¹/₂"H x 4.6"D
(50.75 W x 67.3 H x 11.8 D cm)

Weight: 53 lbs.

Color: Red

Environmental

Operating Temperature: 32°F – 120°F (0°C – 49°C)

Humidity: 10% – 93% non-condensing

Electrical

Voltage for the IFP-FFT must be a power-limited, filtered, non resettable nominal 24 VDC source.

The voltage source must be within the range of 17-29 VDC.

Active Current: 230 mA

Standby Current: 120 mA

SLC Circuit: 32V; 150mA

Audio Circuits: 17V; 53mA

Approvals

UL Listed

Ordering Information

IFP-FFT	Fire Fighters Telephone
IDP-Minimon	Mini monitor module
IDP-ISO	Fault Isolator Module

Optional Accessories

FFT-24	24 Zone Expander
FFT-FPJ	Remote Phone Jack
FFT-RHS	Fire Fighters Remote Hand Set
FFT-HSC	Fire Fighters Handset Cabinet. Holds up to 10 remote handsets
FFT-STSR	Single Telephone Station Recessed. A lockable cabinet containing one remote handset.
FFT-STSS	Single Telephone Station Surface Mount. A lockable cabinet containing one remote handset.
FFT-BGK	Break Glass Kit for FFT-STSS
VIP-TR	Flush Mount Trim Ring

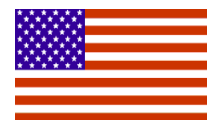


**SILENT
KNIGHT**

by Honeywell

This document is not intended to be used for installation purposes. We try to keep our product information up-to-date and accurate. We cannot cover all specific applications or anticipate all requirements. All specifications are subject to change without notice. For more information, contact Silent Knight 12 Clintonville Road, Northford, CT 06472-1610 Phone: (800) 328-0103, Fax: (203) 484-7118.

www.farenhyt.com



**Assembled in the
U.S.A.**