

Farenhyt



SILENT
KNIGHT

by Honeywell

Intelligent Device

Addressable Monitor Module

IDP-Monitor

The IDP-Monitor is an addressable monitor module for use with Silent Knight IFP-series fire alarm control panels (FACPs). The IDP-Monitor acts as an interface to contact devices, such as waterflow switches and pull stations.

The IDP-Monitor supports Class A supervised or Class B supervised wiring to the load device. Conventional 4-wire smoke detectors can be monitored for alarm and trouble conditions.

Features

- Single contact monitor
- Support for Class A and Class B wiring
- Fully supervised
- Panel controlled status LED that flashes green in normal state and is solid red in alarm
- Attractive ivory cover plate
- Rotary address switches for fast installation
- SEMS screws for easy wiring
- UL Listed

Installation

The IDP-Monitor mounts directly into a 4" square electrical box. The box must have a minimum depth of 2-1/8". A surface mount electrical box (System Sensor® PN SMB500) is available from Silent Knight.

Agency Listings



MEA

386-02-ev2



IDP-Monitor

Compatibility

The IDP-Monitor is compatible with the following FACPs:

- IFP-2000/RPS-2000 Intelligent Fire Panel
- IFP-1000 Intelligent Fire Panel
- IFP-100 Intelligent Fire Panel
- IFP-50 Intelligent Fire Panel

Ordering Information

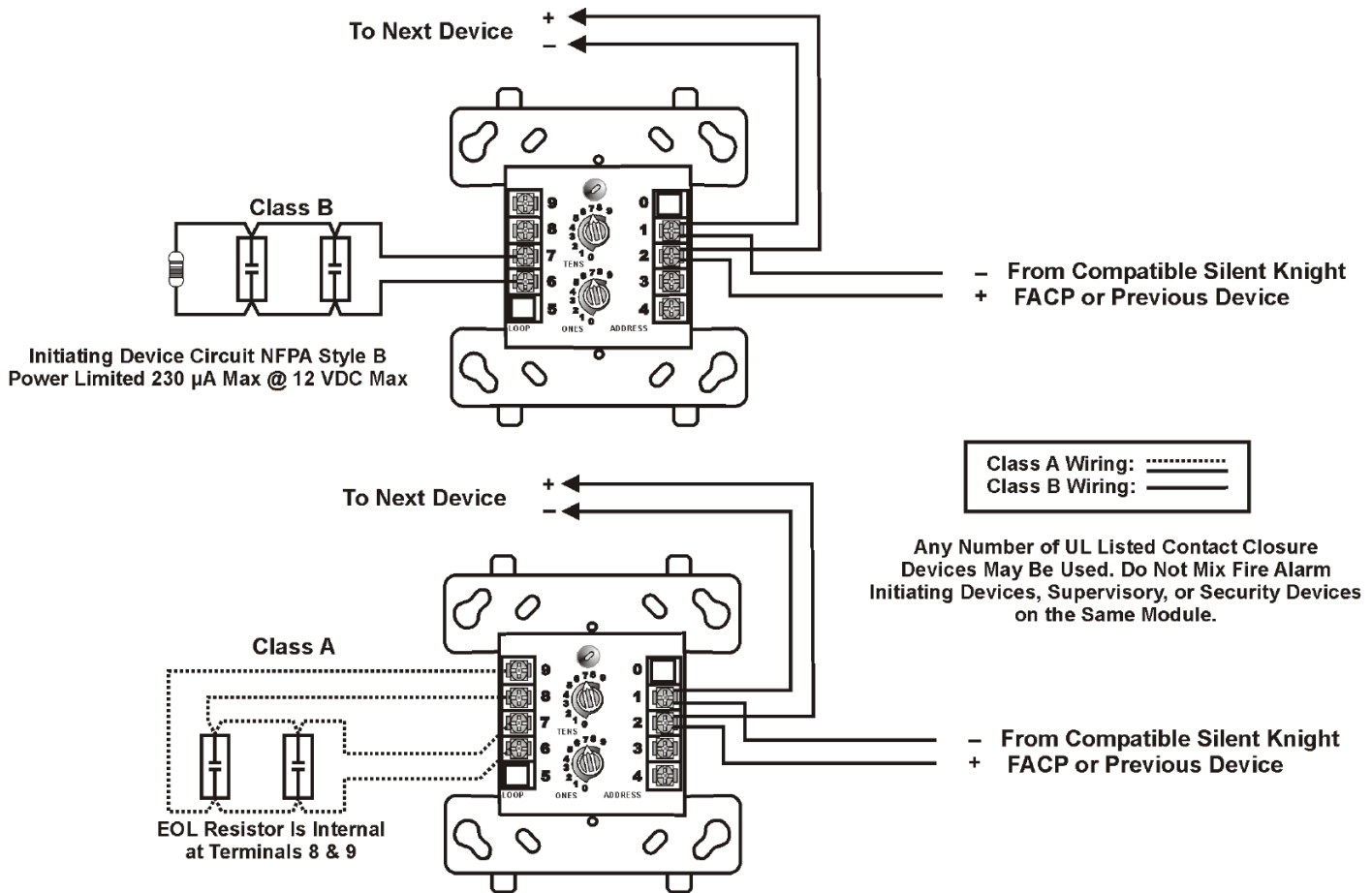
IDP-Monitor Monitoring Module

Accessories

SMB500 4" Square Surface Mount
Electrical Box

P/N 350288 Rev F

Copyright © 2010 Honeywell International Inc.



Wiring IDP-Monitor Modules

Specifications

Physical

Height: 4.5" (11.4 cm)

Width: 4" (10.2 cm)

Depth: 1.25" (3 cm)

Shipping Weight: 6.3 oz (196 g)

Electrical

Operating Voltage: 15 – 32 VDC

Current Draw (LED on): 5.0 mA max

Operating Current (LED flashing): 375 μ A

Standby Current:

400 μ A max @ 24 VDC (one communication every
5 sec with 47K EOL)

550 μ A max @ 24 VDC (one communication every
5 sec with EOL <1K)

5.5 mA (with LED latched on)

LED Current: 5.5 mA (with LED latched on)

End-of-Line Resistance: 47K Ω

Initiating Device Circuit Wiring Resistance: 1,500 Ω max

SLC Loop Resistance: 40 Ω max.

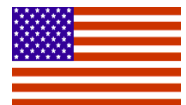
Environmental

Operating Temperature: 32°F – 120°F (0°C – 49°C)

Humidity: 10% – 93% non-condensing



This document is not intended to be used for installation purposes. We try to keep our product information up-to-date and accurate. We cannot cover all specific applications or anticipate all requirements. All specifications are subject to change without notice. For more information, contact Silent Knight 12 Clintonville Road, Northford, CT 06472-1610 Phone: (800) 328-0103, Fax: (203) 484-7118. www.farenhyt.com



Made in the U.S.A.