

Farenhyt

IDP-Iso

The IDP-Iso is an addressable line isolator module for use with Silent Knight IFP-series fire alarm control panels (FACPs). The IDP-Iso acts as an automatic switch that opens when the line voltage on the signaling line circuit (SLC) loop drops below four volts. Isolator modules should be spaced between groups of sensors or modules in a loop to protect the rest of the loop. If a short occurs between any two isolators, then both isolators immediately switch to an open circuit state and isolate the devices between them. The remaining units on the SLC loop continue to fully operate. No more than 25 devices are recommended for each group.

Features

- Isolates short circuits on an SLC loop
- Protects the modules on the SLC loop so other devices continue to operate
- Panel controlled status LED that flashes green in normal state and is solid red in alarm
- Standard 4 inch electrical box mounting
- SEMS screws for easy wiring
- UL Listed

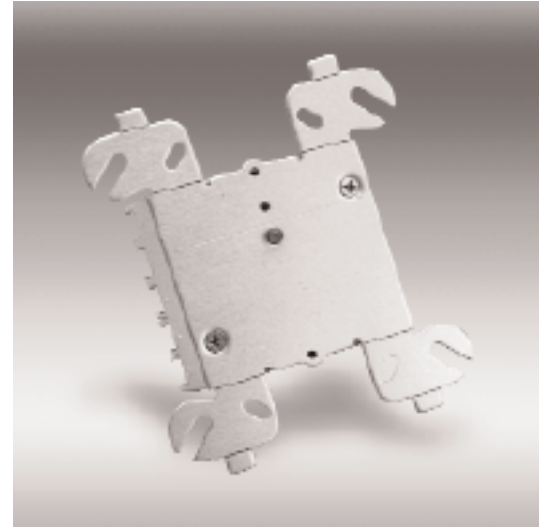
Installation

The IDP-Iso mounts directly into a 4" square electrical box. The box must have a minimum depth of 2-1/8". A surface mount electrical box (PN SSSMB500; System Sensor® PN SMB500) is available from Silent Knight.

Line Isolator Module



MEA
427-91-E Vol. X



IDP-Iso

Compatibility

The IDP-Iso is compatible with the following FACPs:

- IFP-2000/RPS-2000 Intelligent Fire Panel
- IFP-1000 Intelliknight Fire Panel
- IFP-100 Intelligent Fire Panel
- IFP-50 Intelligent Fire Panel

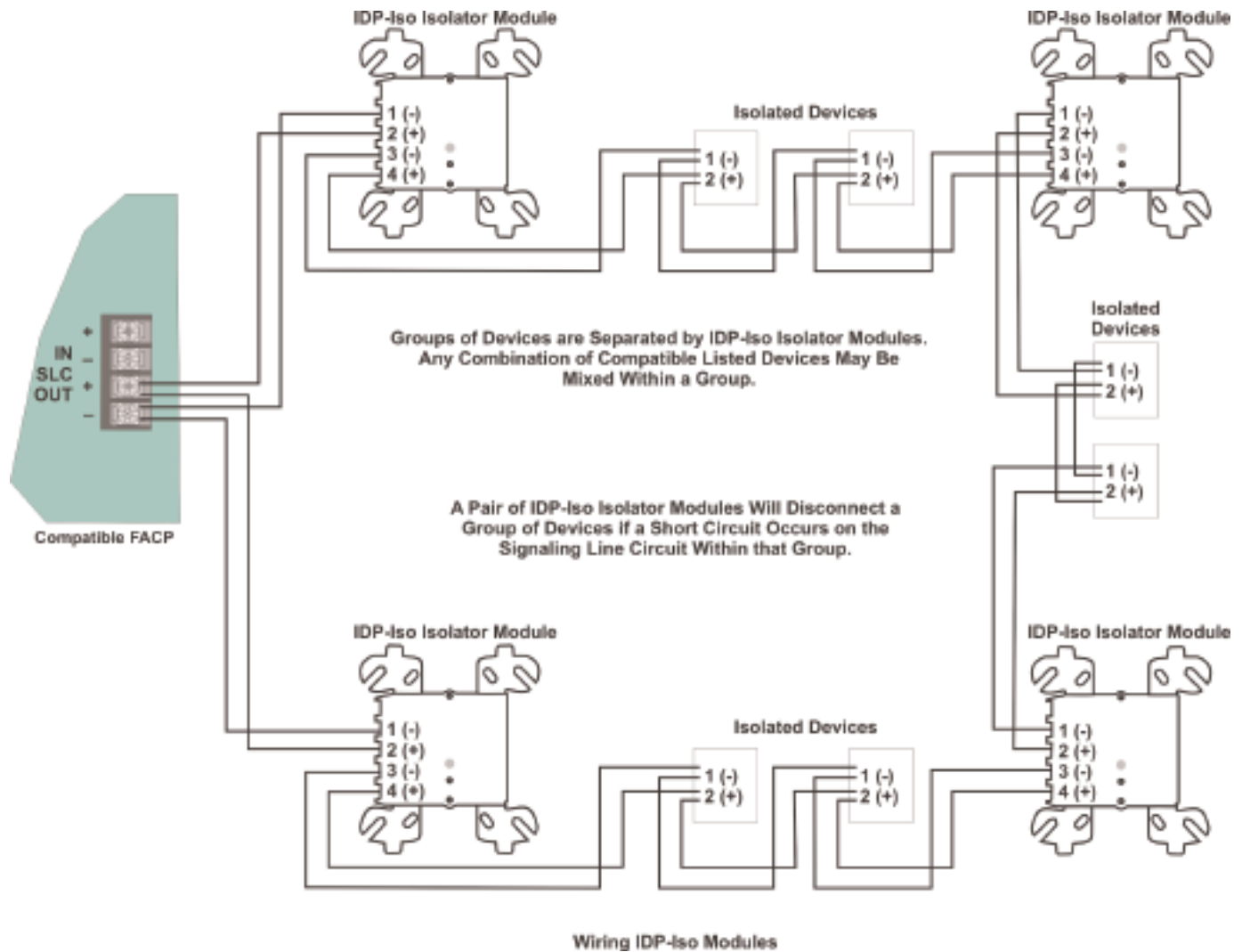


**SILENT
KNIGHT**

by Honeywell

7550 Meridian Circle, Suite 100
Maple Grove, Mn 55369-4927
763-493-6455 or 800-328-0103
Fax: 763-493-6475
www.farenhyt.com

P/N 350287 Rev D
Copyright © 2009 Honeywell International Inc.



Specifications

Physical

Height: 4.5" (11.4 cm)

Width: 4" (10.2 cm)

Depth: 0.25" (0.6 cm)

Shipping Weight: 6.3 oz (196 g)

Electrical

Operating Voltage: 15 – 32 VDC

Standby Current: 450 μ A max (not isolating; relay closed)

Isolation Current: 5 mA max

Fault Detection Delay: 250 ms min.

Fault Detection Threshold: 4V

Line Restoration Threshold: 7V

SLC Line Loop Resistance: 40

Environmental

Operating Temperature: 32°F – 120°F (0°C – 49°C)

Humidity: 10% – 93% non-condensing

Ordering Information

IDP-Iso Line Isolator Module

Accessories

SSSMB500* 4" Square Surface Mount Electrical Box

* For ordering purposes, an SS has been added to the System Sensor part numbers. Example—System Sensor PN for SSB501 is B501.



This document is not intended to be used for installation purposes. We try to keep our product information up-to-date and accurate. We cannot cover all specific applications or anticipate all requirements. All specifications are subject to change without notice. For more information, contact Silent Knight 7550 Meridian Circle Suite 100, Maple Grove, Mn 55369-4927. Phone: (800) 328-0103, Fax: (763) 493-6475. www.farenhyt.com



Made in the U.S.A.