

Farenhyt



Honeywell Analytics Fire Sentry FS24X Multi-Spectrum QuadBand™ Triple IR Fire and Flame Detector

General

The Honeywell Analytics Fire Sentry FS24X is a quantum leap in flame and fire detection with its sophisticated software and detection technology. It is the latest generation high technology Multi-Spectrum Triple IR (IR/IR/IR/VIS) fire and flame detector, which is part of the FSX™ family of advanced technology electro-optical flame detectors.

The Fire Sentry FS24X uses our patented WideBand IR™ Infrared, WideBand 4.3 micron IR™, and Visible detection technology. Sophisticated software algorithms and dual microprocessors ensure that the Fire Sentry FS24X has the highest fire detection performance combined with optimal false alarm rejection.

Features

- Patented* WideBand IR™ Infrared Technology
- Patented* Electronic Frequency Analysis™
- Visible Sensor for optimum false alarm rejection
- Selectable detection sensitivities
- Field-of-View: 110° full 100% cone-of-vision (90° full 100 % cone-of-vision model also available)
- Dual microprocessors for reliable performance
- Real-time clock for accurate time dating of events
- FirePic™ — Up to 6 pre-fire event data storage
- Event log — Up to 200 events with date and time stamp
- RS-485 ModBus communication
- Built-in non-Isolated 4-20 mA Analog output (sink or source)
- Alarm, Fault and Fire Verification relays
- Automatic optical path and electronic self-test
- Widest operating temperature range
- Patented Electronics Module for components protection and plug-in terminations for easy field installation
- Two ¾" NPT OR 25mm conduit connections
- Low power consumption
- High RFI and EMI immunity
- FM, ATEX, CE mark approvals

Agency Listings



FS24X

Applications

- Refineries and Oil Production Facilities
- Off-Shore Platforms
- Turbine/Compressor Enclosures
- Oil & Gas Pipelines and Pumping Stations
- LNG/LPG Loading & Unloading Facilities
- Natural Gas and CNG Plants
- Ethanol, Methanol, and IPA Production and Storage
- Crude Oil and Gasoline Storage and Tank Farms
- Aircraft Hangars
- Hydrogen Plants and Storage
- Paint & Solvent Storage
- Power Plants

Compatibility

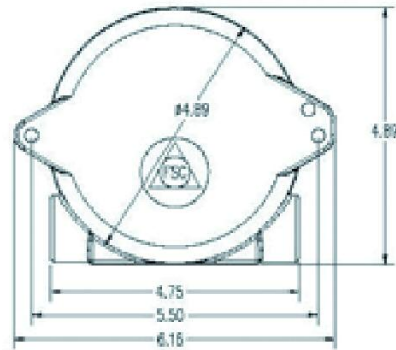
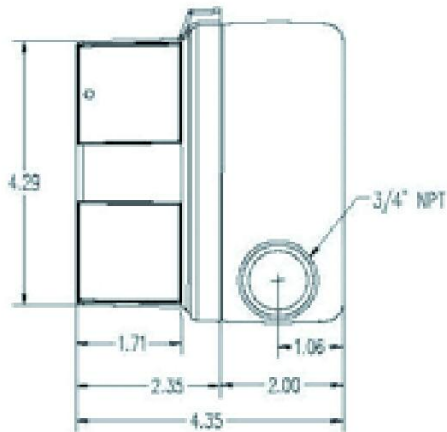
Fire Sentry FS24X is compatible with the following Silent Knight FACPs:

- IFP-1000ECS
- IFP-2000VIP
- IFP-100ECS
- IFP-2000
- IFP-1000
- IFP-100
- IFP-50

P/N 350405 Rev A

Copyright © 2012 Honeywell International Inc.

**FS24X General Dimensions
Side and Back Views
(All Dimensions in Inches)**



Specifications

| | |
|----------------------|---|
| Field of View | 110° Full 100% Cone of vision, ± 55° from on axis |
| Sensitivity | Very High, High, Medium and Low — Switch Selectable |
| Response Time | 3-5 Seconds to 1 sq. ft. n-Heptane fire at 100 ft. 3-10 Seconds to 1 sq. ft. n-Heptane fire at 200 ft. |
| Spectral Sensitivity | Visible: 400 – 700 nanometers Near Band IR: 0.7 – 1.1 microns Wide Band IR: 1.1 – 7 microns Wide Band IR: 3.0 – 5.0 microns |
| Operating Voltage | 24 VDC nominal (18-32 VDC) - Regulated |
| Power Consumption | Operating: 56 mA @ 24 VDC nominal Alarm: 106 mA @ 24 VDC nominal Heater: 155 mA – additional Note: Heater will turn on at 0°F (-17°C) |
| Output Relays | Fire Alarm: SPDT (NO / NC) – De-Energized/Energized, Latching/Non-Latching Fault: SPST (NO) – Normally Energized, Latching/Non-Latching Auxiliary: SPDT (NO / NC) – DeEnergized/Energized, Latching/Non-Latching Contacts rating: 1 amp @ 24 VDC |
| Analog Output | 0 - 20 mA stepped - Source or Sink User Selectable |
| Loop resistance | 50 - 400 Ohms |

| | |
|---------------------|---|
| Visual Indications | Blue LED: Power Red LED: Alarm Yellow LED: Fault |
| Temperature Range | Operating: -40 to +185°F (-40 to +85°C) Storage: -67 to +230°F (-55 to +110°C) |
| Humidity Range | 5 to 95% relative humidity, non-condensing |
| Vibration | Meets or exceeds MilSpec 810C Method 514.2, Curve AW12 |
| Wiring | 14 AWG (2.5mm ²) to 22 AWG (0.326mm ²); Shielded Cable Recommended |
| Conduit Entries | Standard: Two ¾" NPT or two M25 |
| Enclosure Materials | Copper-Free Powder Coated Aluminum or 316 Stainless Steel |
| Enclosure Type | NEMA 4 & 4X, IP66 |

Ordering Information

| | |
|-------|--|
| FS24X | Fire Sentry FS24X Multi-Spectrum QuadBand™ Triple IR Fire and Flame Detector |
|-------|--|

Accessories

| | |
|---------|---------------------------|
| TL1055X | Fire Sentry Test Lamp |
| TL2055X | Fire Sentry Test Lamp |
| FSIM-2 | Fire Sentry interface kit |
| SM4 | Swivel Mount |



SILENT KNIGHT

by Honeywell

This document is not intended to be used for installation purposes. We try to keep our product information up-to-date and accurate. We cannot cover all specific applications or anticipate all requirements. All specifications are subject to change without notice. For more information, contact Silent Knight 12 Clintonville Road, Northford, CT 06472-1610 Phone: (800) 328-0103, Fax: (203) 484-7118. www.farenhyt.com